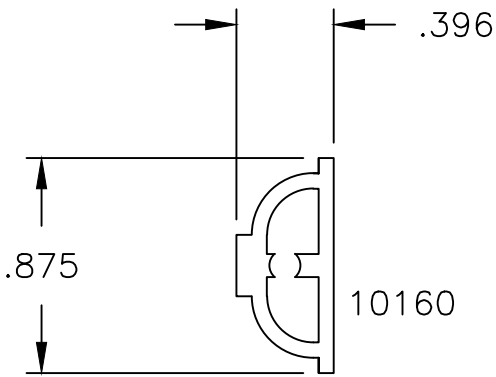
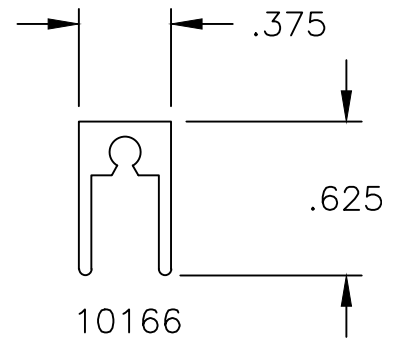


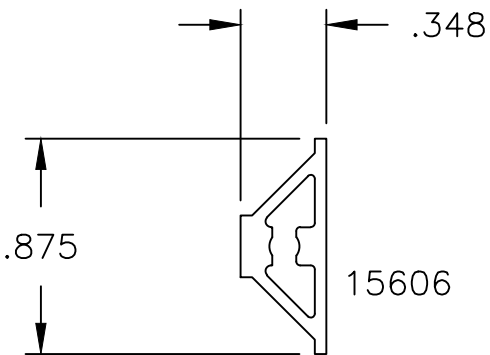
15° GRID BASE



OGEE GRID



FLAT GRID BASE



MODIFIED TRAPEZOIDAL GRID