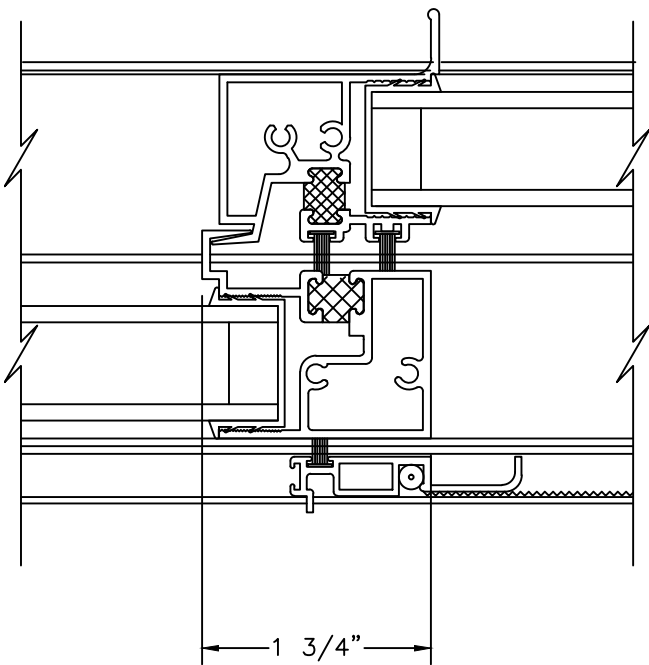
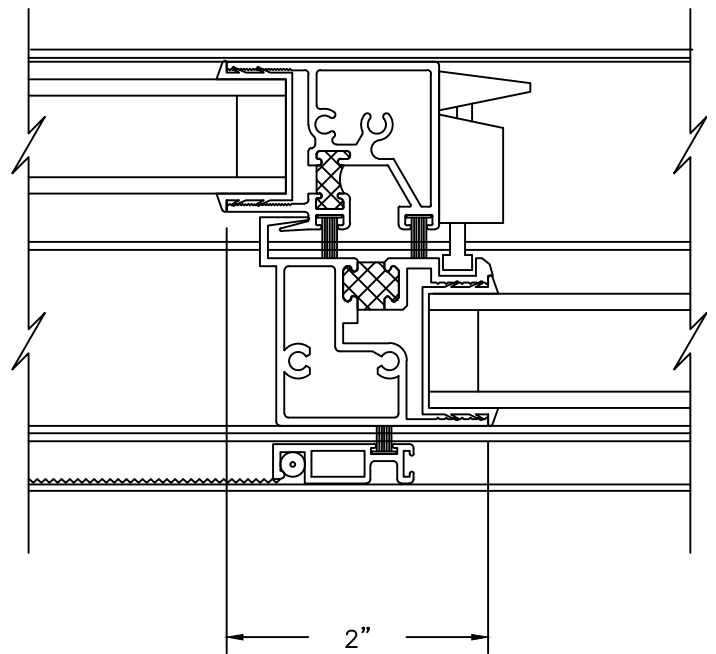


③
JAMB



⑤
REVERSE INTERLOCK MEETING RAIL



④
MEETING RAIL