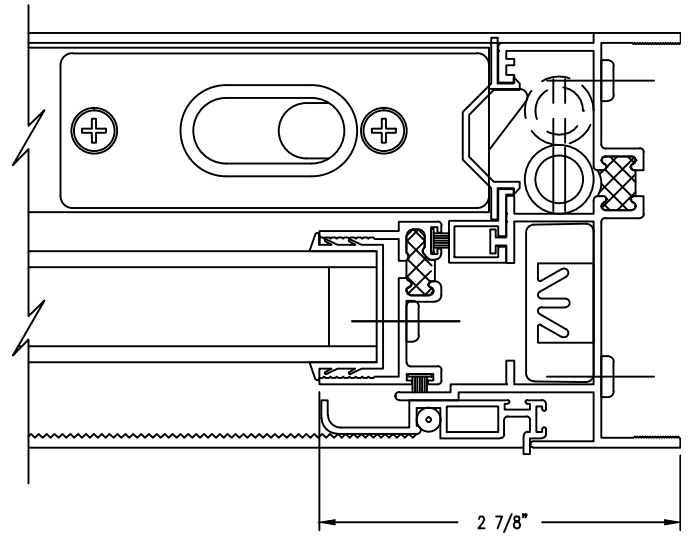
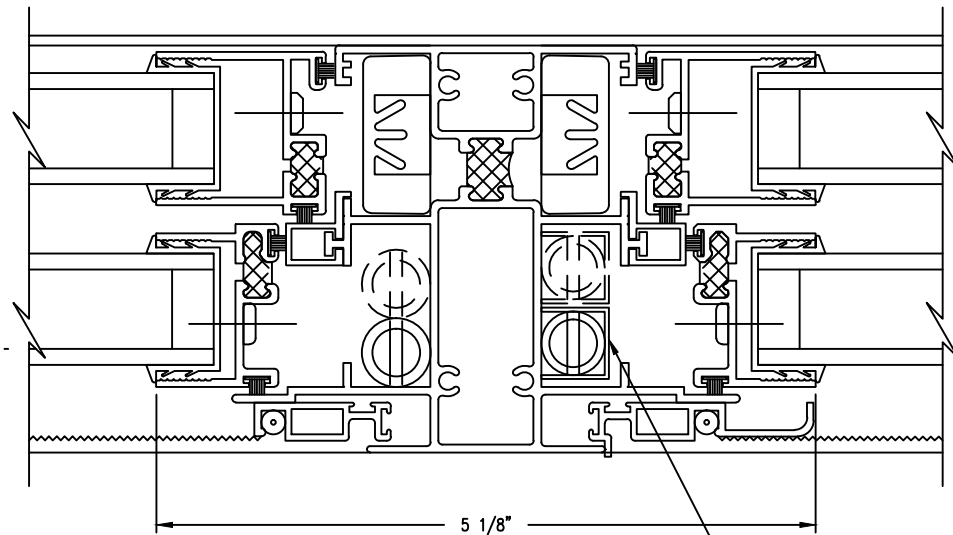


④
LEFT JAMB
DOUBLE HUNG



⑤
RIGHT JAMB
DOUBLE HUNG



⑥
IMPOST
DOUBLE HUNG

OPTIONAL BLOCK AND
TACKLE BALANCE