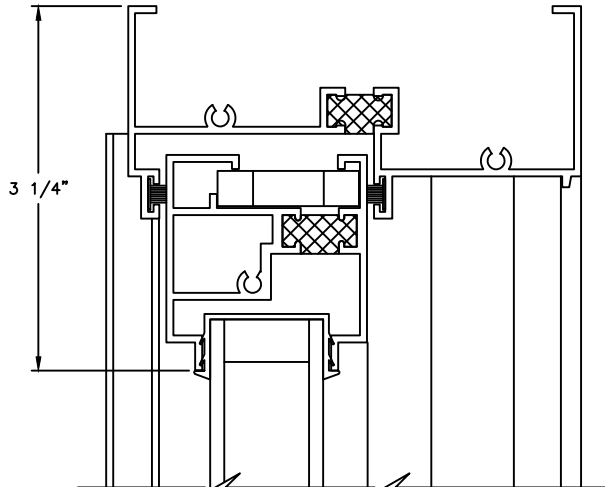
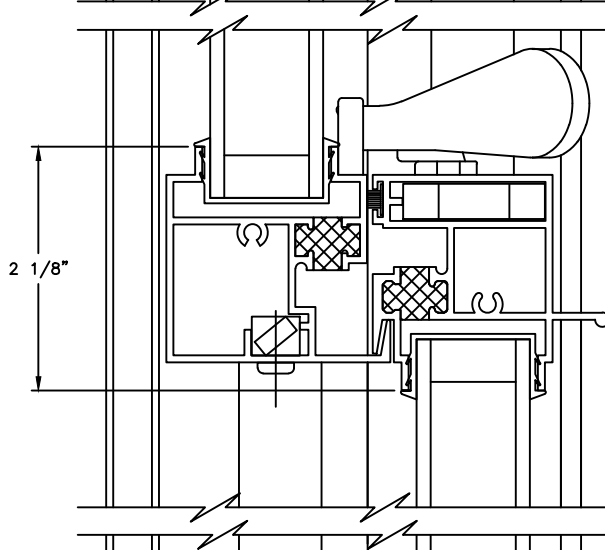


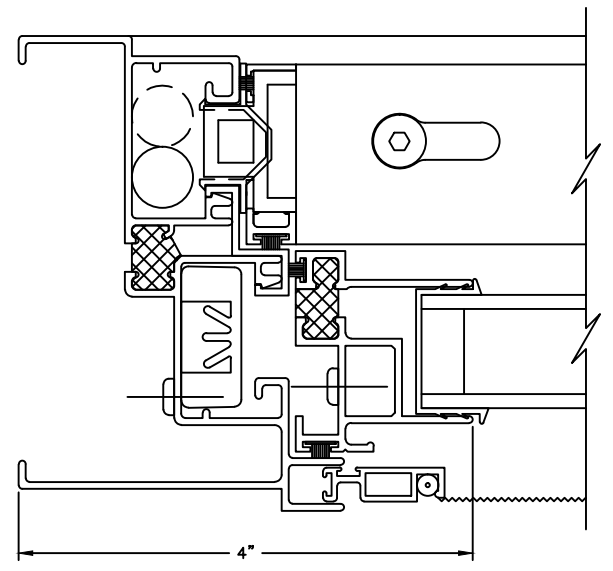
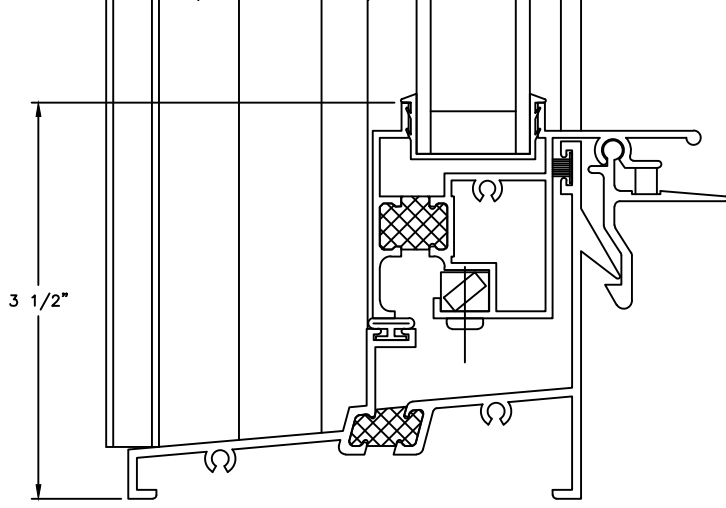
①
HEAD
DOUBLE HUNG



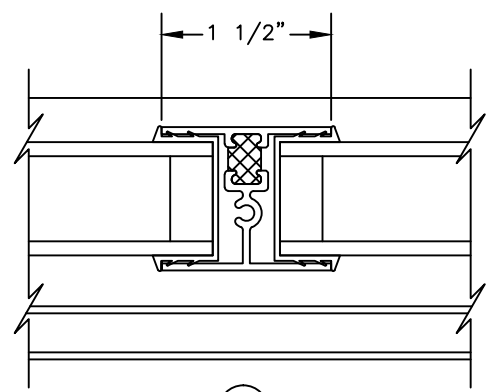
②
MEETING RAIL
DOUBLE HUNG



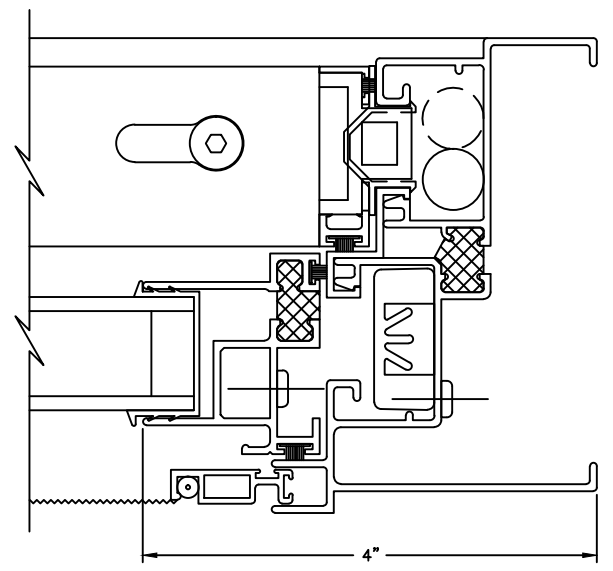
③
SILL
DOUBLE HUNG



④ OPT
LEFT JAMB



⑦
TRUE MUNTIN



⑤ OPT
RIGHT JAMB