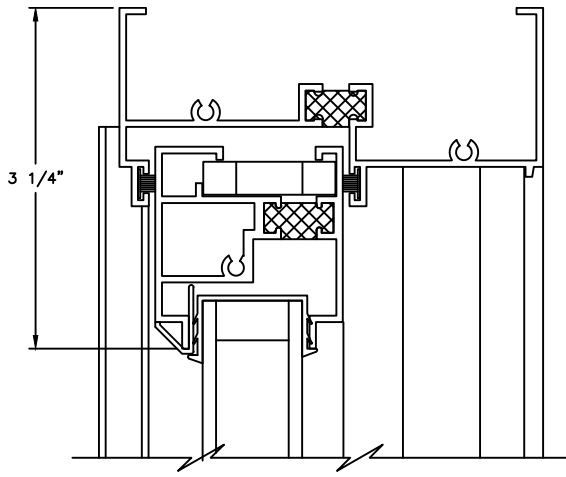
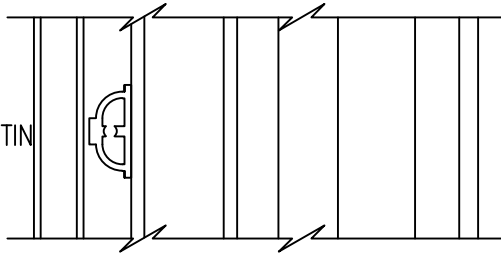


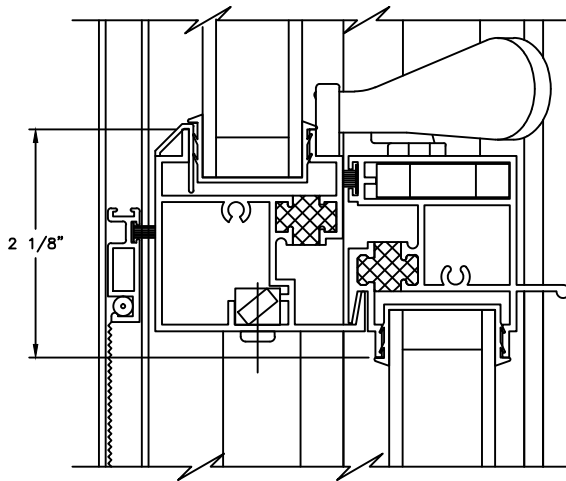
① OPT  
HEAD



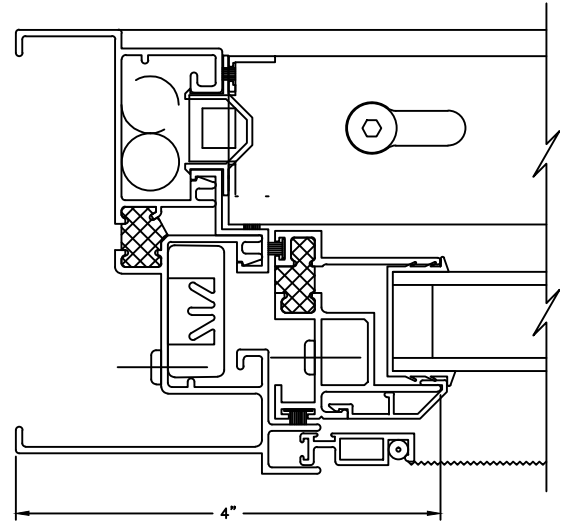
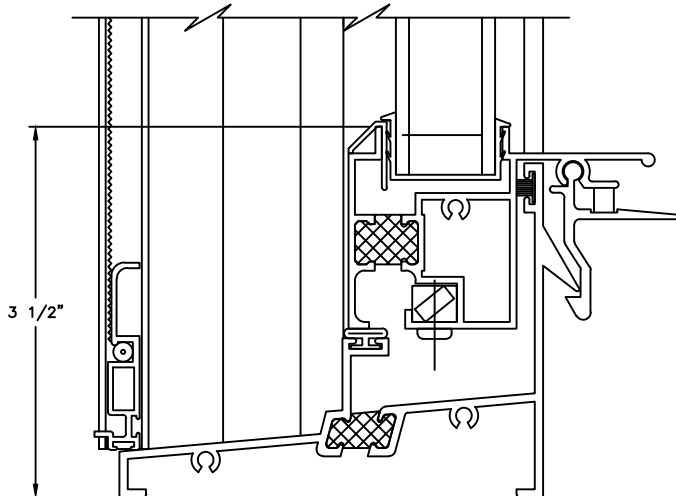
⑦ OPT  
APPLIED HISTORIC MUNTIN



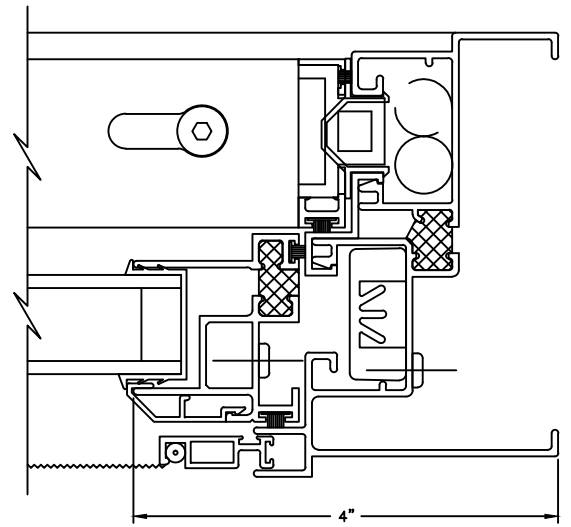
② OPT  
MEETING RAIL



③ OPT  
SILL



④ OPT  
LEFT JAMB



⑤ OPT  
RIGHT JAMB