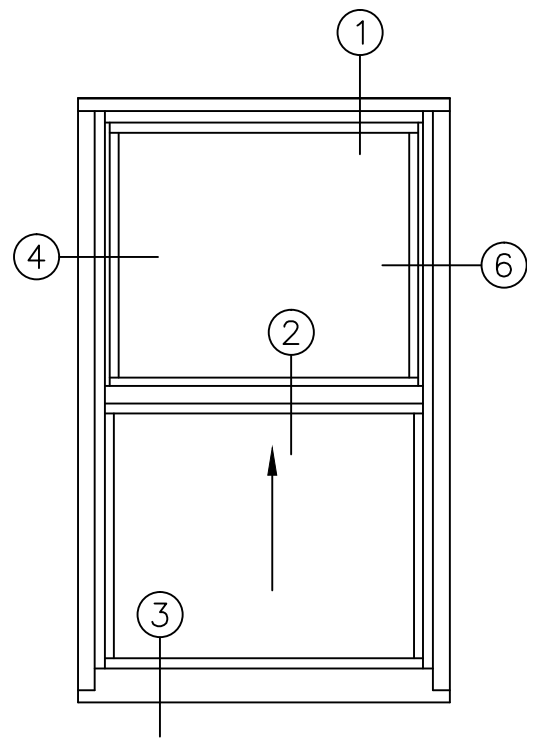


P4200/P4200



P4200