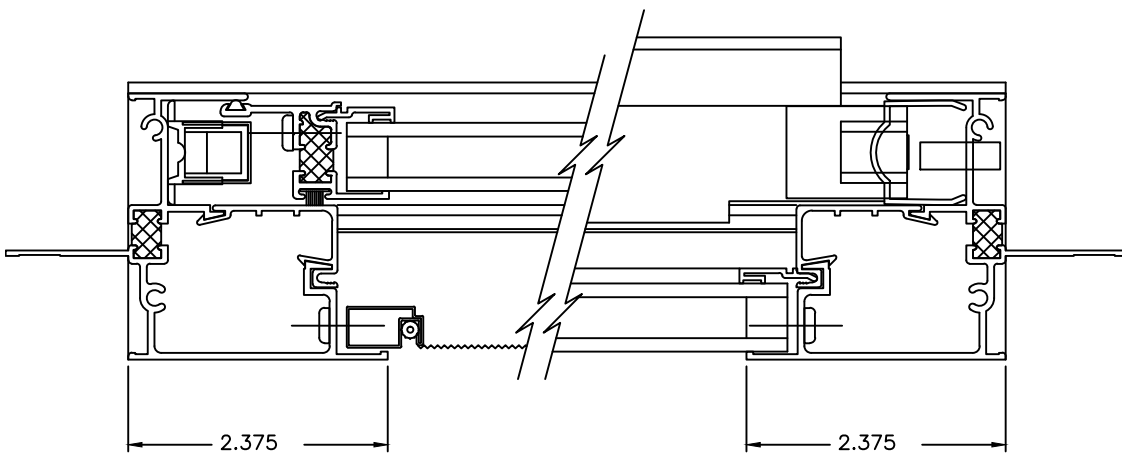


① HEAD  
P4400 SH

② MEETING RAIL  
P4400 SH

③ SILL  
P4400 SH



④ LEFT JAMB  
P4400 SH

⑤ RIGHT JAMB  
P4400 SH