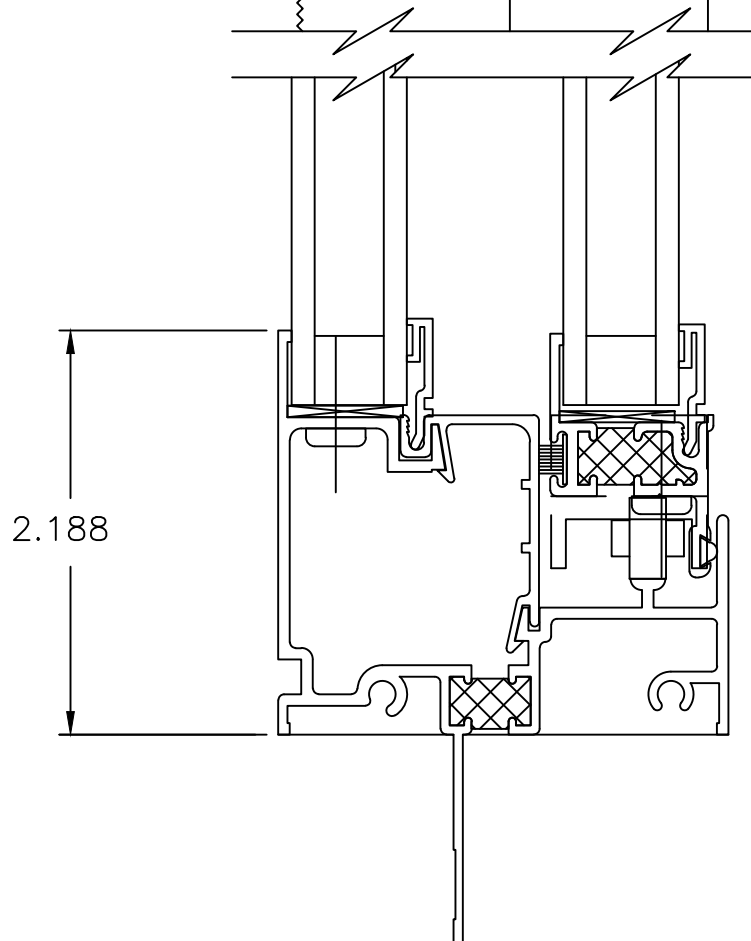


① HEAD
P5400 SINGLE SLIDE



② SILL
P5400 SINGLE SLIDE